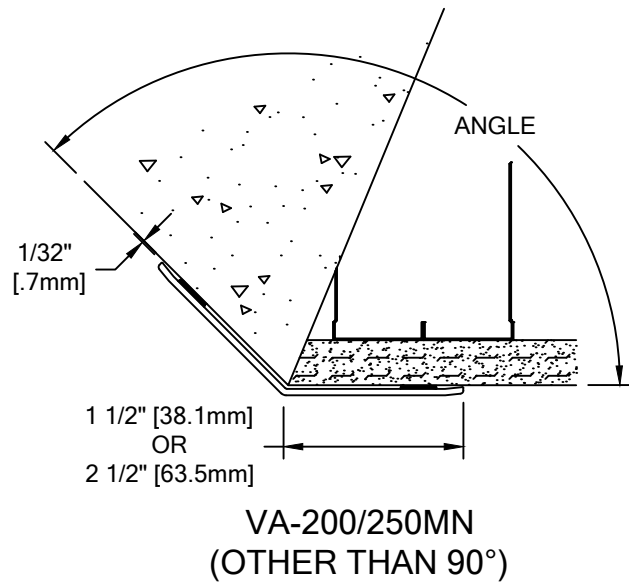
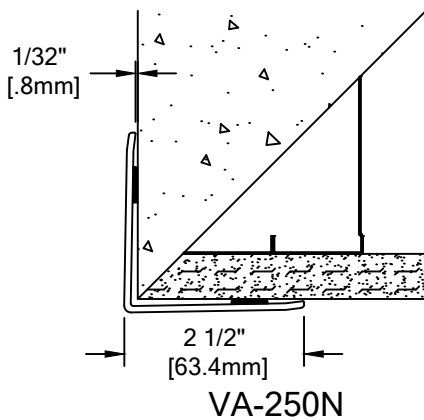
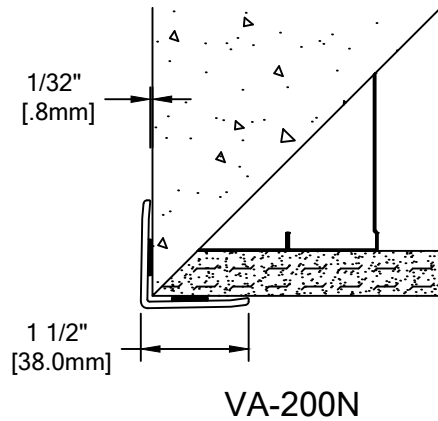
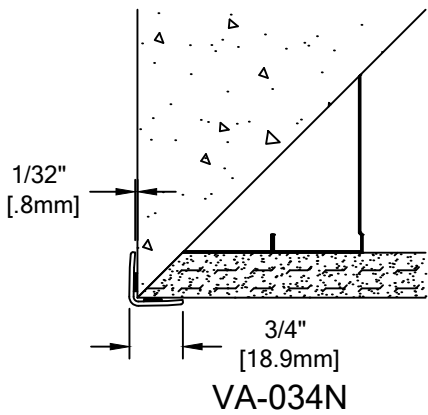


COLOR: _____
 CORNER GUARD: _____
 COLOR TO BE SELECTED FROM ONE OF CS STANDARD COLORS.

NOTES:

1. VA-034 CORNER GUARDS ARE NOT AVAILABLE IN CHAMELEON COLORS.
2. VA-034 CORNER GUARDS AVAILABLE IN 8'-0" LENGTHS MAX. ALL OTHERS AVAILABLE IN 10'-0" LENGTHS MAX.
3. VA-200MN AND VA-250MN ARE AVAILABLE IN ANGLES BETWEEN 45°-160°. THE VA-034 MODEL IS ONLY AVAILABLE IN 90°
4. DIMENSION IS TYPICALLY 1/32" BETWEEN CORNER GUARD AND WALL BUT MAY VARY DEPENDING ON CORNER BEAD AND WALL FINISHING.

MODEL	QTY. REQ'D	UNIT HEIGHT	ANGLE ³



VA SERIES CORNER GUARDS

ACROVYN 4000

Unit 6, 26-32 Cosgrove Road
 Enfield NSW 2136
 P: 1300 272 602
 E: sales@c-sgroup.com.au
 © Copyright 2016 Construction Specialties, Inc.

PROJECT:	REVISION:
JOB NO.:	F&F:
CUSTOMER:	
REP:	DATE:
DRAWN BY:	SHEET NO: