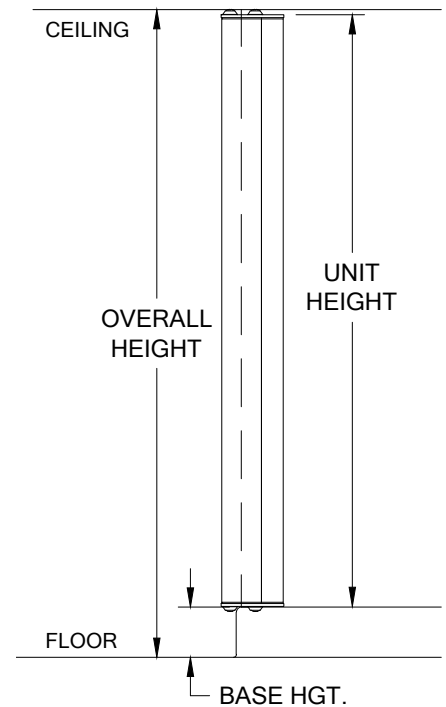
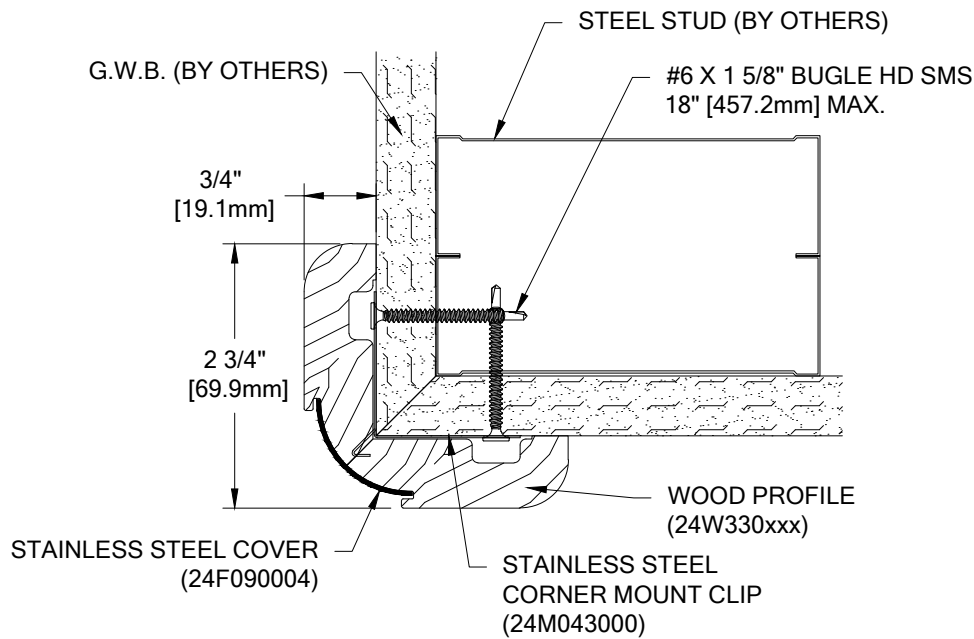


COLOR:
CORNER GUARD WOOD SPECIES: _____
CORNER GUARD WOOD FINISH: _____
***END CAPS:** _____
 COLOR TO BE SELECTED FROM ONE OF C/S STANDARD COLORS.
 *END CAPS AND STAINLESS STEEL COVERS ARE AVAILABLE WITH AN OPTIONAL POWDER COAT FINISH. PLEASE ADVISE POWDER COAT FINISH IF REQUIRED.
 WOOD END CAPS ALSO AVAILABLE.

| QTY. REQ'D | UNIT HEIGHT |
|------------|-------------|
| | |
| | |
| | |

NOTES:


1. THIS MODEL IS FABRICATED CUT-TO-SIZE, THEREFORE FIELD VERIFIED DIMENSIONS ARE REQUIRED.



SURFACE MOUNTED GUARD AT FULL HEIGHT ELEVATION

SMWS-10

| WALL CONDITION | SPECIFIED FASTENER | DRILL DIAMETERS | | C/S PART NUMBER |
|------------------------|---|-----------------|----------|------------------------|
| | | WALL | RETAINER | |
| STEEL STUD/GYPSUM WALL | #6 X 1 5/8" BUGLE HEAD SMS | N/A | N/A | 90H079002 |
| WOOD STUD/GYPSUM WALL | #6 X 1 5/8" BUGLE HEAD SMS | N/A | N/A | 90H079002 |
| CONCRETE/CONC. BLOCK | AF-6 PLASTIC ANCHOR #10 X 1 1/2" PHILLIPS PAN HEAD SMS | 1/4" | N/A | 90H039004 90H189002 |

| | | |
|---|------------------|------------------|
|  Unit 6, 26-32 Cosgrove Road Enfield NSW 2136 P: 1300 272 602 E: sales@c-sgroup.com.au © Copyright 2016 Construction Specialties, Inc. | PROJECT: | REVISION: |
| | JOB NO.: | F&F: |
| | CUSTOMER: | |
| | REP: | DATE: |
| | DRAWN BY: | SHEET NO: |