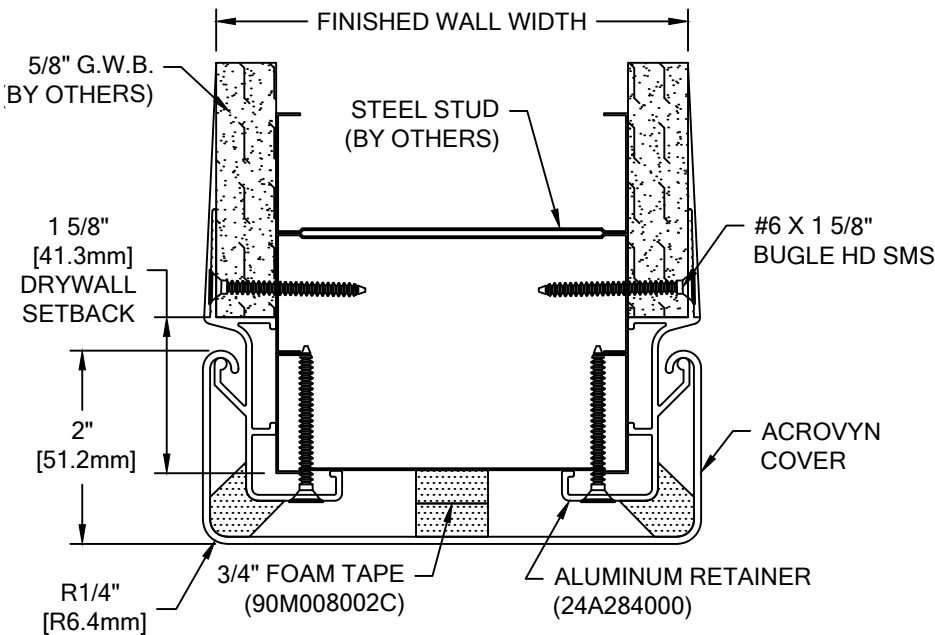
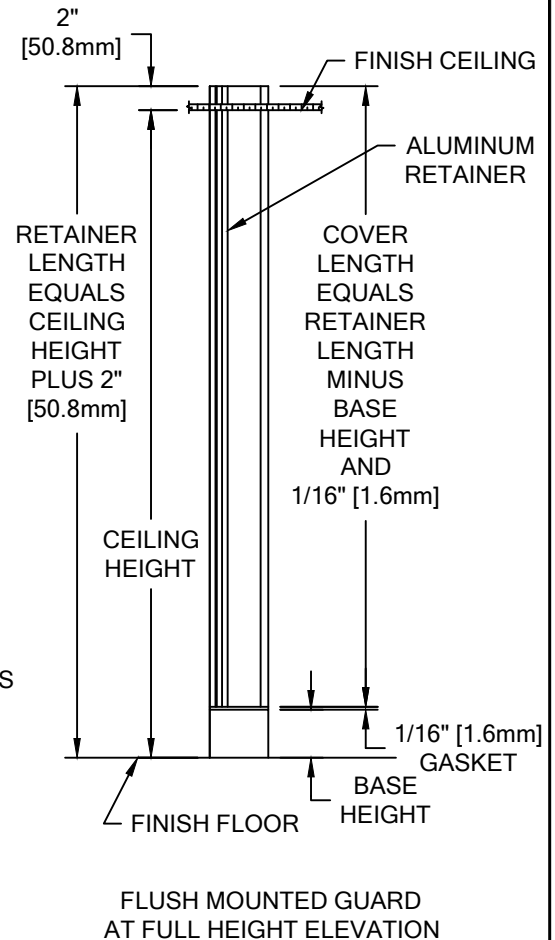



<b>COLOR:</b> <b>CHANNEL GUARD:</b> _____ COLOR TO BE SELECTED FROM ONE OF CS STANDARD COLORS.	<b>UNITS</b>	<b>CEILING</b>	<b>RET.</b>	<b>COVER</b>	<b>BASE</b>	<b>WALL</b>	
	<b>REQ'D</b>	<b>HEIGHT</b>	<b>LENGTH</b>	<b>LENGTH</b>	<b>HEIGHT</b>	<b>WIDTH</b>	
<b>NOTES:</b>  1. UNITS TO BE FURNISHED IN LENGTHS TO ACCOMMODATE THE SPECIFIED CEILING HEIGHT, WITH 2" ADDED FOR FIELD VARIATIONS. WHERE POSSIBLE, THIS 2" SHOULD EXTEND INTO THE CEILING.  2. A MINIMUM 24 GA. CHANNEL STUD MUST BE SECURELY ANCHORED TOP AND BOTTOM TO INSURE POSITIVE ATTACHMENT OF ALUMINUM RETAINERS. IF TRUSS STUDS ARE USED, CHANNEL STUDS MUST BE USED AT CORNER.  3. MAXIMUM LENGTH FOR ACROVYN COVERS IS 9'-6". LENGTHS GREATER THAN THIS WILL BE MADE IN 2 PIECES.  4. FSC-25N CHANNEL GUARDS HAVE A STANDARD MINIMUM WIDTH OF 3 1/8" AND MAXIMUM WIDTH OF 12". ANYTHING GREATER THAN 12" REQUIRES REVIEW AND CUSTOM PRICING.							



## FSC-25N ACROVYN 4000

WALL CONDITION	SPECIFIED FASTENER	DRILL DIAMETERS		CS PART NUMBER
		WALL	RETAINER	
SINGLE LAYER DRYWALL	#6 X 1-5/8" BUGLE HEAD SHEET METAL SCREW	N/A	N/A	90H079002
DOUBLE LAYER DRYWALL	#8 X 3" BUGLE HEAD SHEET METAL SCREW	N/A	N/A	90H857002

 Unit 6, 26-32 Cosgrove Road Enfield NSW 2136 P: 1300 272 602 E: sales@c-sgroup.com.au © Copyright 2016 Construction Specialties, Inc.	<b>PROJECT:</b>	<b>REVISION:</b>
	<b>JOB NO.:</b>	<b>F&amp;F:</b>
	<b>CUSTOMER:</b>	
	<b>REP:</b>	<b>DATE:</b>
	<b>DRAWN BY:</b>	<b>SHEET NO:</b>