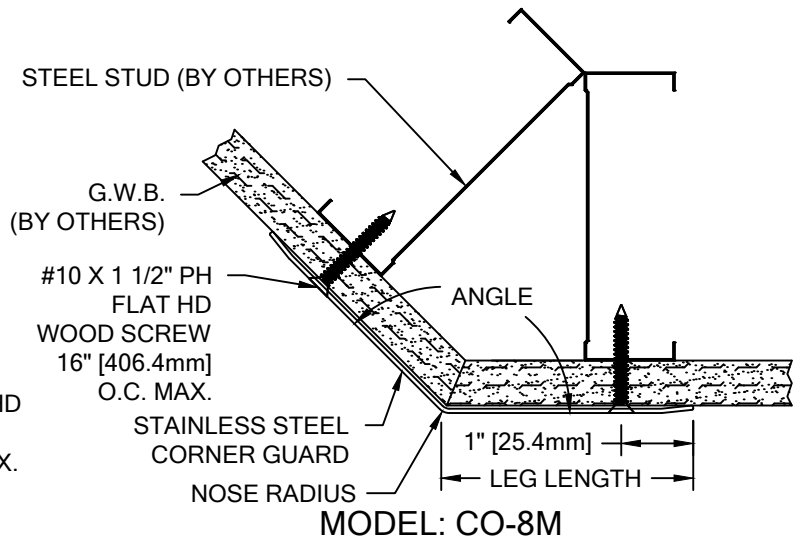
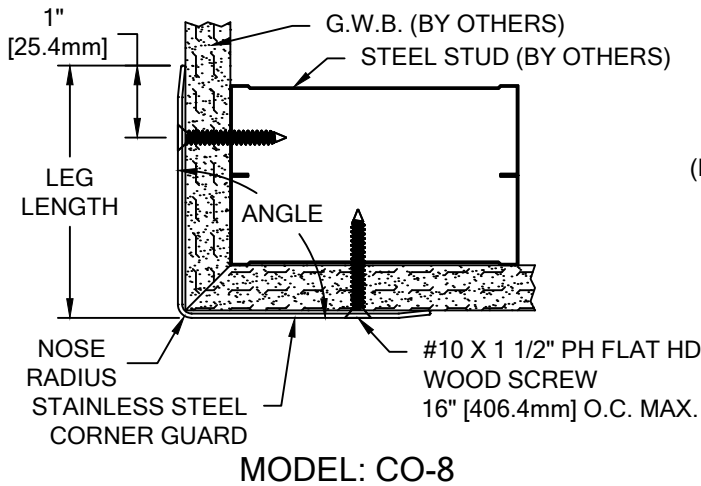


CORNER GUARD:
 FINISH: _____
 GAUGE: _____
 TYPE: _____
 CORNER GUARDS SUPPLIED IN STANDARD 16 GAUGE, TYPE #304 ALLOY WITH #4 SATIN FINISH.
 OPTIONAL POWDER COAT FINISHES ARE AVAILABLE. PLEASE ADVISE OPTIONAL POWDER COAT FINISH IF REQUIRED.
 OPTIONAL GAUGE (14, 18, 20) AND ALLOY TYPES (#316, #430) AVAILABLE. PLEASE ADVISE OPTIONAL GAUGE AND ALLOY TYPE IF REQUIRED.

UNITS REQ'D	UNIT HEIGHT	ANGLE	LEG LENGTH	NOSE RAD.

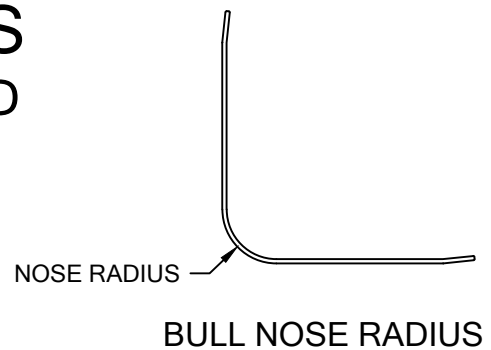
NOTES:


- CORNER GUARDS ARE SHIPPED WITH A PROTECTIVE STRIPPABLE COATING.
- CO-8 CORNER GUARDS HAVE A STANDARD ANGLE OF 90°, LEG LENGTH OF 3 1/2" [89.0mm] AND A STANDARD NOSE RADIUS OF 3/16" [4.8mm]. CO-8M CORNER GUARDS HAVE A STANDARD ANGLE OF 135°, LEG LENGTH OF 3 1/2" [89.0mm] AND A STANDARD NOSE RADIUS OF 3/16" [4.8mm]. PLEASE ADVISE IF A DIFFERENT LEG LENGTH, ANGLE OR BULL NOSE RADIUS IS DESIRED.
- CORNER GUARDS HAVE A MINIMUM LEG LENGTH OF 2" [50.8mm] AND MINIMUM NOSE RADIUS OF 3/16" [4.8mm].
- ANGLES ONLY AVAILABLE BETWEEN 45° - 178°.
- *CORNER GUARDS CAN BE USED AT FULL OR PARTIAL HEIGHTS. PLEASE ADVISE SPECIFIED UNIT HEIGHT OF CORNER GUARD.*



**CO-8 SERIES
 CORNER GUARD
 WITH FASTENERS**

WALL CONDITION	SPECIFIED FASTENER	DRILL DIAMETERS		CS PART NUMBER
		WALL	RETAINER	
CONCRETE/CONCRETE BLOCK	#10 X 1 1/2" S/S PHILLIPS FLAT HEAD WOOD SCREW AF-8 PLASTIC ANCHORS	1/4"	N/A	90H009002 90H049004
STEEL STUD/GYPSUM WALL	#10 X 1 1/2" S/S PHILLIPS FLAT HEAD WOOD SCREW	N/A	N/A	90H009002
WOOD STUD/GYPSUM WALL	#10 X 1 1/2" S/S PHILLIPS FLAT HEAD WOOD SCREW	N/A	N/A	90H009002



 Unit 6, 26-32 Cosgrove Road Enfield NSW 2136 P: 1300 272 602 E: sales@c-sgroup.com.au © Copyright 2016 Construction Specialties, Inc.	PROJECT:	REVISION:
	JOB NO.:	F&F:
	CUSTOMER:	DATE:
	REP:	SHEET NO:
	DRAWN BY:	